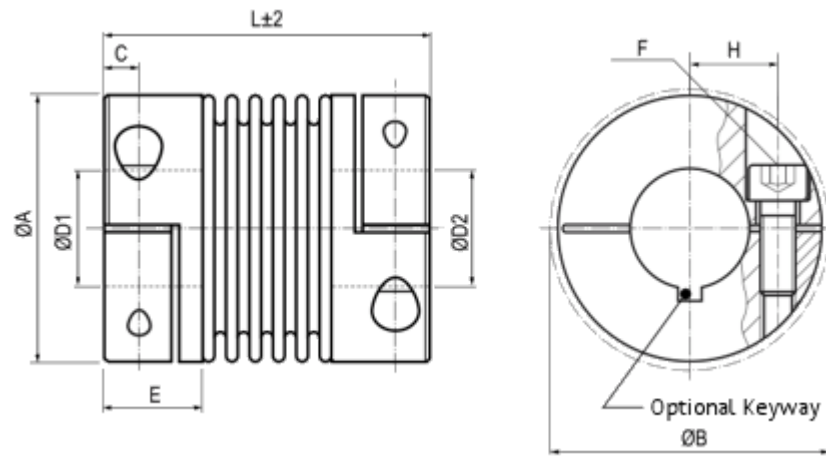


KB2 Miniature metal bellow coupling



Size	Torque (Nm)	Dimensions (mm)								Technical Specification							
		L	A	D1/D2	H	C	ØB	E	F	Mass (g)	Moment of inertia g.m ²	Bellows stiffness			Offset		
		Length	Diameter	Bores				Hub Length	Bolt Torque			Torsion Nm/rad (10 ³)	Radial N/mm	Axial N/mm	Radial mm	Axial mm	Angle Degrees
1	0.1	25	10	1-4	3.4	2	11	7	M1.6	3	0.5	65	10	14	0.12	0.2	1.2
									0.1								
5	0.5	21	15.5	3-8	5.2	2.5	17.5	7	M2	7.5	2.7	260	43	13	0.1	0.2	1
		25		8#					0.43	7.8	2.8	200	18	10	0.15	0.3	1.5
		28								8.2	3	160	9	8	0.2	0.4	2
10	1	23	15.5	3-8	5.2	2.5	17.5	7	M2	9	3.1	510	74	27	0.1	0.2	1
		26		8#					0.43	9.3	3.4	380	31	20	0.15	0.3	1.5
		31								10	3.7	310	16	16	0.2	0.4	2
15	1.5	26	20	3-10	7	3	21	8.5	M2.5	13	8	750	59	15	0.1	0.3	1.5
		31		10#					0.85	15	9.3	700	20	9	0.15	0.4	2
20	2	32	25	3-14	9	3.5	27	11	M3	29	24	1500	67	12	0.15	0.3	1.5
		38		14#					2	32	27	1300	21	11	0.2	0.4	1.5
		42								33	29	1050	11	9	0.25	0.5	2
45	4.5	41	32.5	6-18	12	5	34	13	M4	61	100	6500	168	32	0.1	0.3	1.5
		50		18#					3.5	67	112	4200	41	20	0.2	0.5	2
100	10	47	40.5	6-25	15.5	5	41.5	13.5	M4	86	233	8100	120	27	0.15	0.4	1.5
		57		25#					4.5	106	290	6800	29	17	0.3	0.6	2

Standard Product Order Number: **KB2 / 45 - 50 - 10 - 16**

Bellows Range ————

Size ————

Length ————

Bore 1 ————

Bore 2 ————

Rotational Speed: Max 15000 RPM

Material: Bellows - Stainless Steel
Hub - Aluminium

Hub: Tolerance H7

Temperature: -30°C ~ 120°C

Keyway: optional Keyways to DIN 6885

Largest Possible bore marked with #